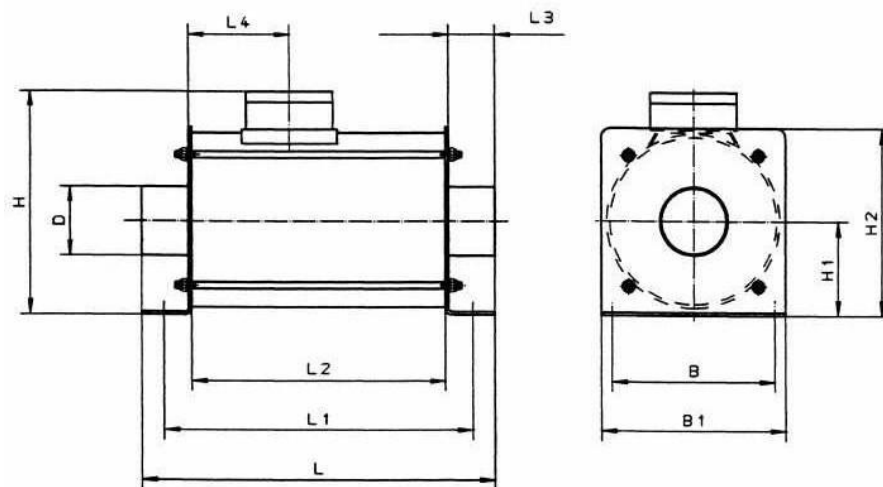


Aerocom's Single-Phase Blower WSVR 11

WSVR 11—One Direction



Part-No.	L	L1	L2	L3	L4	D	H	H1	H2	B	B1
741 105	12.72	11.14	9.17	1.65	3.66	2.48	8.07	3.42	6.77	5.91	6.69

*Dimensions are in Inches

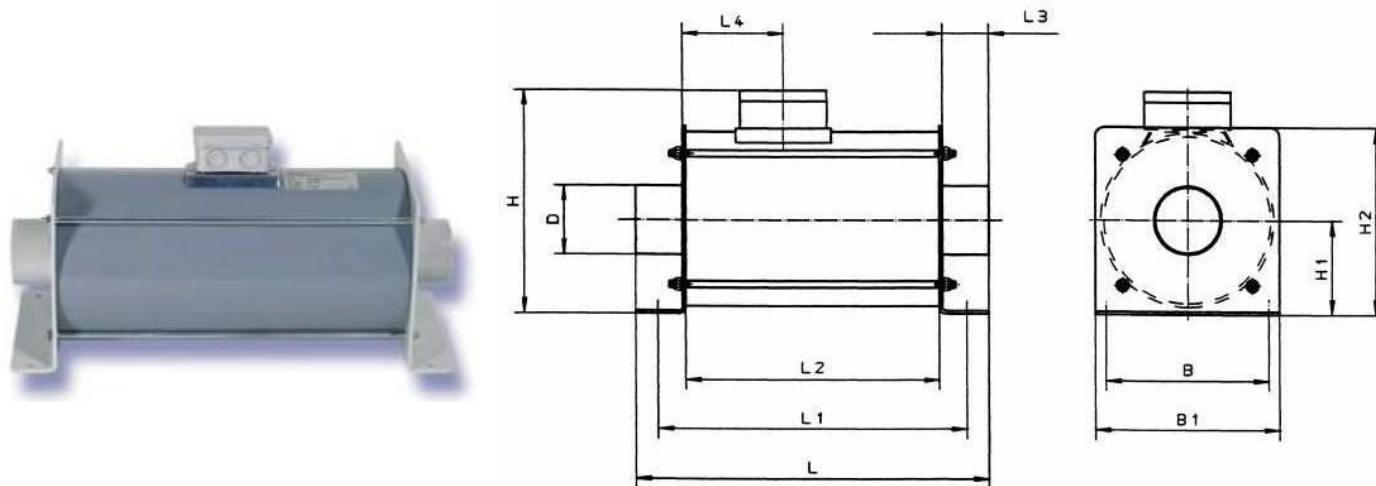
The one directional WSVR 11 can only be used to transfer carriers in one direction. Once the carrier has reached it's destination, the blower will automatically shut-off.

Features:	
Rated Output	1.1 kW
Voltage	115 V, 50/60Hz
Pressure Performance	3.0m ³ / min
Maximum Pressure	230 mbar
Noise Level	89 db A in 1m distance
Weight	5.3 kg

aerocom

Aerocom's Single-Phase Blower WSVR 12

WSVR 12—Reversing Operation



Part-No.	L	L1	L2	L3	L4	D	H	H1	H2	B	B1
741 106	16.73	15.16	13.19	1.65	6.69	2.48	8.07	3.43	6.77	5.91	6.69

*Dimensions are in Inches

The WSVR 12 is a two way reversing transmission blower. It generates a vacuum mode of operation and reverses to create a pressure mode of operation. As soon as the carrier reaches it's destination, the blower will automatically shut-off.

Features:	
Rated Output	2 Motors, 50/60Hz each, 1.1 kW for both directions
Voltage	115 V
Pressure Performance	3.0m ³ / min
Maximum Pressure	230 mbar
Noise Level	89 db A in 1m distance
Weight	7.3 kg

aerocom